

Fan Selection Datasheet

ADT 710/14/20-6p

Axial Inline



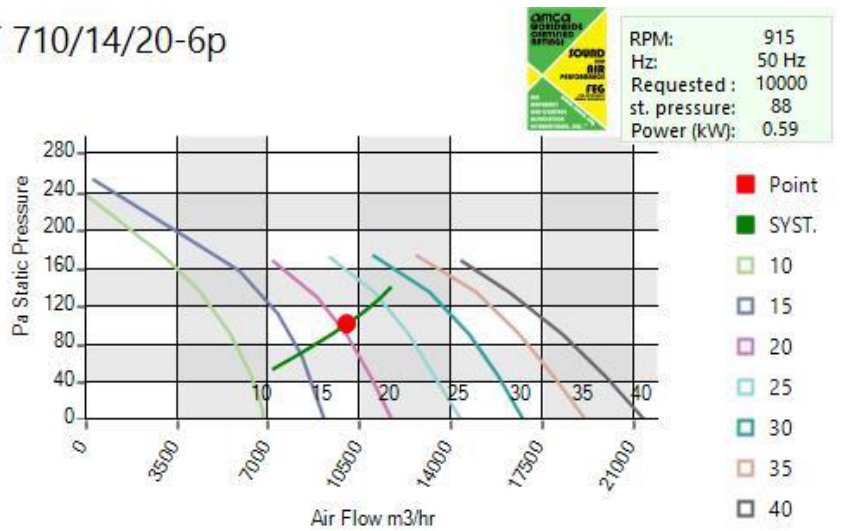
Input Data

Performance Data					
Duty Airflow :	10000	m3/hr	Temperature:	20	°C
Duty Pressure :	88	Pa	Altitude :	0	m
Design Airflow :	10000	m3/hr			
Design Pressure :	100	Pa			

Output Data

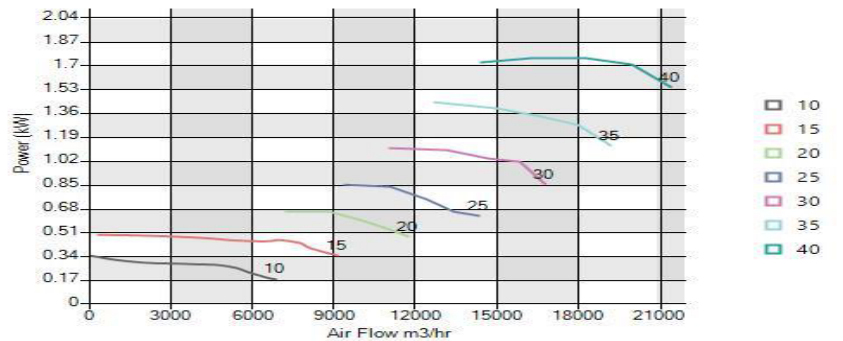
Fan Data		
Model :	ADT 710/14/20-6p	
Description :	Axial Inline	
Fan Diameter:	710	mm
Impeller Type :	Axial	
Impeller Material :	cast aluminum	
Weight :	50	kg
Fan Speed :	915	RPM
Absorbed Power :	0.65	kW
Peak Power :	0.65	kW
Total Efficiency :	55.84	%
Static Efficiency :	0.00	%
Frequency :	50HZ	
Angle ° :	20	
Blades :	14	

ADT 710/14/20-6p



Motor Data		
Motor Power :	0.75	kW
Voltage :	400.00	V
Load Current :	0.00	A
Starting Current:	0.00	A
Frame Size :	90 S	
Shaft Size :	0.00	mm
Motor Pole :	6	
Phase :	3	
Class :	F	
Mount :	B3	

ADT 710/14/20-6p



Sound Data									
Spectrum	63	125	250	500	1000	2000	4000	8000	SPL @1 m
LW Inlet(dB)	78.00	73.00	79.00	81.00	75.00	71.00	67.00	51.00	74.29

ADT 710/14/20-6p

Axial Inline

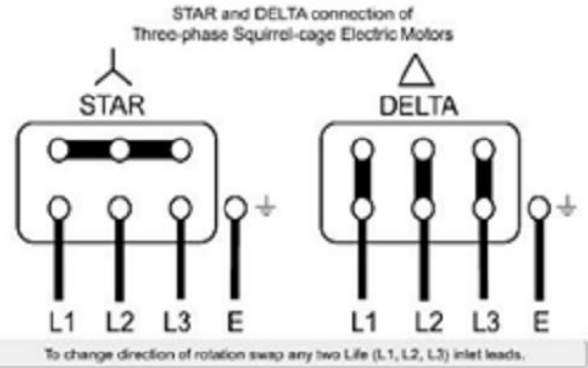


Application :

AMCA Certified Hammam "ADT series" Tube Axial Inline Direct Drive Fans are the ideal choice to use with ducted installations for economical and reliable air movement in commercial and industrial applications, equipped with Hammam airfoil adjustable pitch angle cast aluminum impeller, From the wide variety of Hammam Adjustable Pitch axial impeller range of diameters and number of blades.

MOTOR INFORMATION :

Electrical Supply	400 / 50 / 3
Motor Rating	0.65 kW
Full Load Current	0.00 A
Frame Size	90 S
Motor Poles	6
Motor Speed	915 RPM



DRAWING AND DIMENSIONS :

Key	A	B	C	D	E	S	F	G	H	K	L	M	X	Kg
Value(mm)	710	804	760	410	2	2	12	16	483	356	542	602	130	50

